



Contact: Bishnu Maharaj

Mob: 1 868 483 2981

Email: bishnu.maharaj@speQta.co

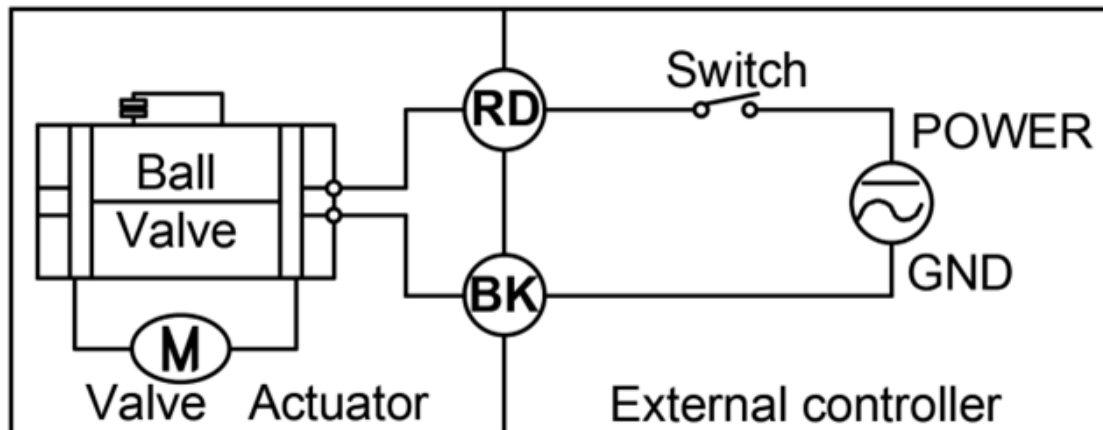
SL40- B2-C



Technical Parameters:

Product size	NPT 1.5 inch
Maximum working pressure	1.0MPa
Medium	Fluid, air
Working voltage	AC110-230V
Working current	≤1A
Body Material	Stainless steel SS304
On/off time	≤15S
Life time	70000 times
Actuator material	PPO
Torque force	10N.m
Ambient temperature	-15℃~50℃
Liquid temperature	2℃~90℃
Manual override	No
On/off indicator	Yes
Wiring	CR202
O-ring	PTFE
Sealing	FKM
Protection	IP67

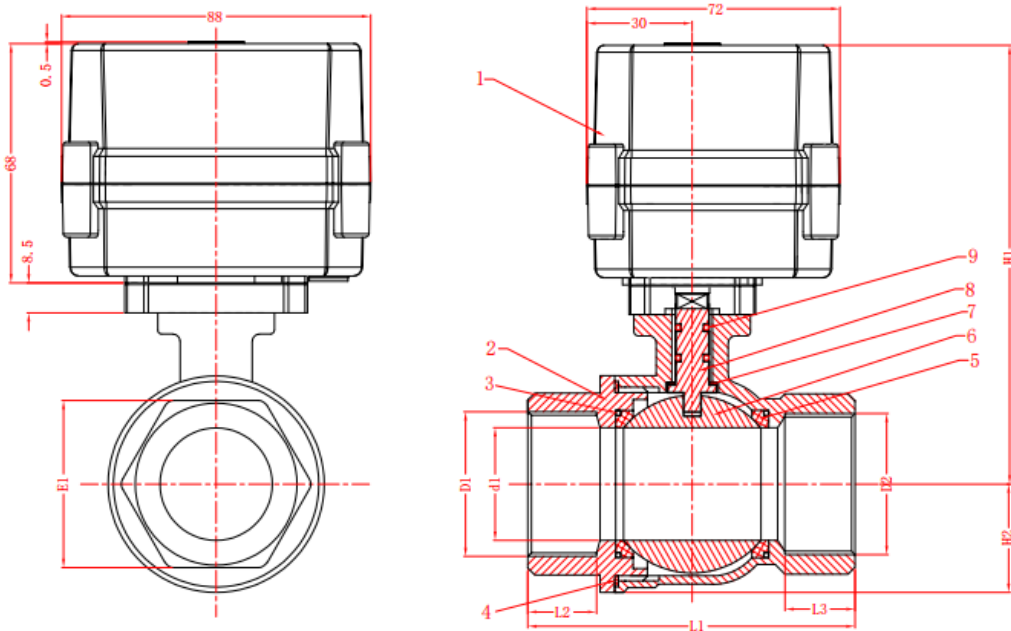
Wiring diagram:CR202 Capacitor return when power is off



Working voltage: AC110-230v (over working voltage is not allowed)

Normally closed: when power is suddenly off, ball in the valve will close automatically.

Assemble Chart:



Description	D1/D2	d1	L1	L2/L3	E1	H1	H2
SL50-B2-C CR-202	2"	50	130	25	66	138	45

9	O-ring	FKM		2	
8	Stem	Stainless Steel	304	1	
7	Gasket	PTFE		1	
6	Ball	Stainless Steel	304	1	
5	Sealing	PTFE		2	
4	Sealing	PTFE		1	
3	O-ring	FKM		2	
2	Body Cover	Stainless Steel	304	1	
1	Actuator	PPO		1	
No.	Name	Material	Specification	Quantity	
MATERIAL		DRN & DATE	TITLE		MODEL NO
QTY/SET		CHK & DATE	Electric valve		
FINISH		APPD & DATE			SHEET NO
TREATMENT		SCALE			ISSUE
COLOUR					
UNIT	MM		DRG NO/PDD REF NO		