



Contact: Bishnu Maharaj

Mob: 1 868 483 2981

Email: bishnu.maharaj@speQta.co

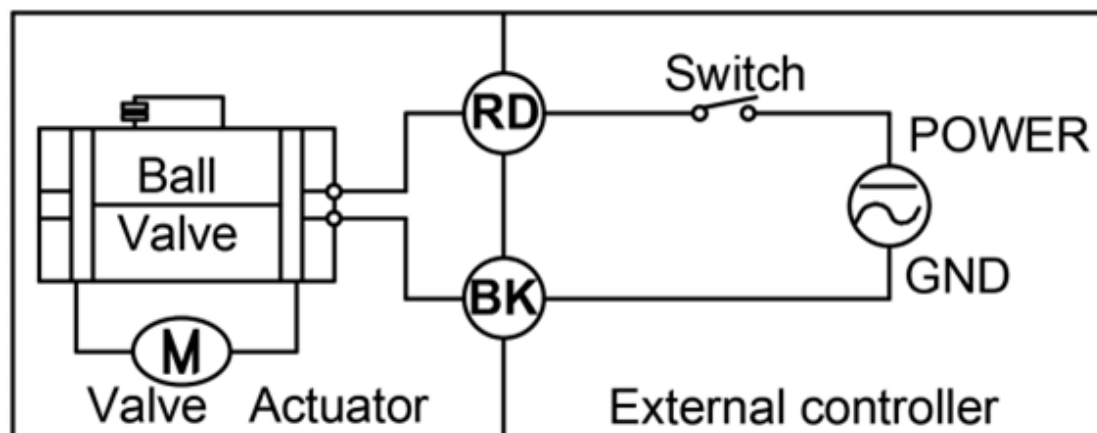
SL20- B2-C



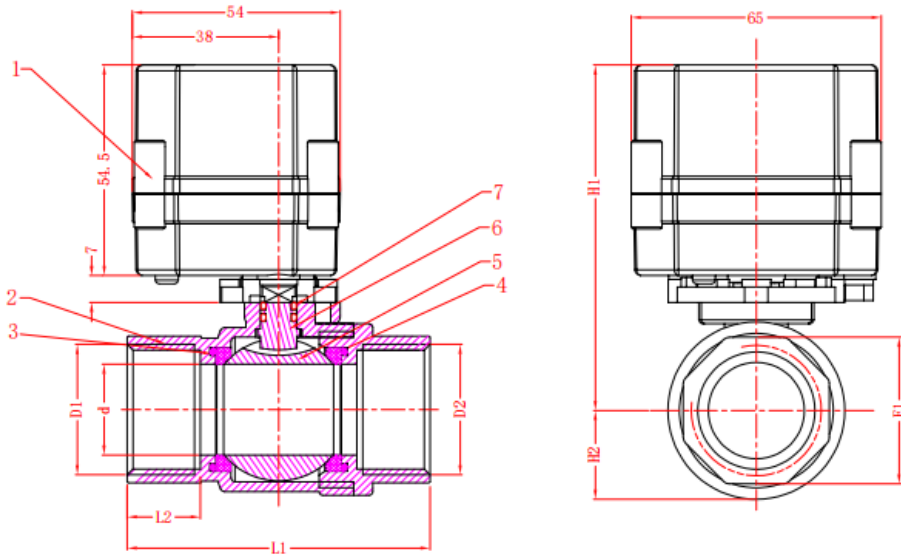
Specification:

Product size	NPT 3/4 inch
Maximum working pressure	1.0MPa
Medium	Fluid, air
Working voltage	AC110-230V
Working current	≤500mA
Max.power	5W
Body Material	brass
On/off time	≤5S
Life time	70000 times
Actuator material	PPO
Torque force	2N.m
Ambient temperature	-15°C~50°C
Liquid temperature	2°C~90°C
Manual override	No
On/off indicator	Yes
Wiring	CR202
O-ring	PTFE
Sealing	FKM
Protection	IP67
Certification:	CE

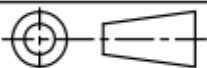
Wiring: CR202 with capacitor return



Technical chart



Description		d	L1	L2	E1	H1	H2	
SL20-B2-C CR-202		3/4"	20	66	14	31	86.5	19

7	O-ring	FKM				2	
6	Stem	Brass				2	
5	Ball	SS304				1	
4	Sealing	PTFE				2	
3	O-ring	FKM				2	
2	Body Cover	Brass				1	
1	Actuator	PPO				1	
No.	Name	Material				Quantity	
MATERIAL		DRN & DATE	TITLE			MODEL NO	
QTY/SET		2020/5/11					
FINISH		CHK & DATE					
TREATMENT		APPD & DATE					
COLOUR		2020/5/11					
UNIT	MM	SCALE	Electric valve			SHEET NO	
						DRG NO/PDD REF NO	ISSUE

Advantages:

1. Full metal gear box,
2. Actuator is PPO, stable and firm, makes life time longer.

